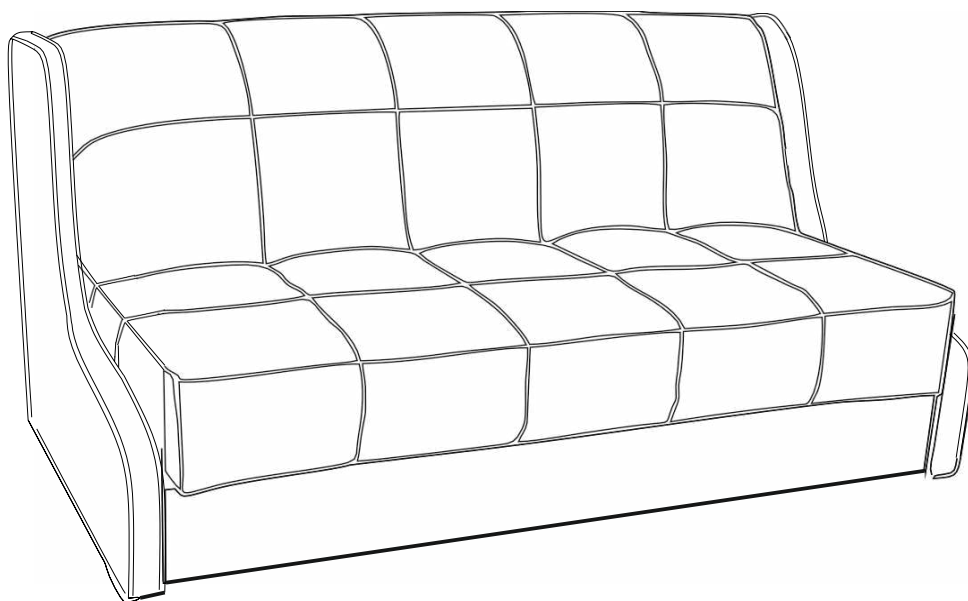


Assembly Guide

Convertible sofa Persei Nova (Luxe)

Convertible armchair Persei Nova



EAC

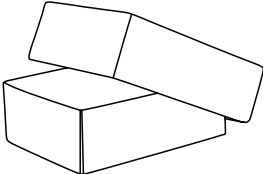
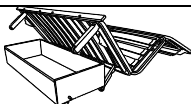
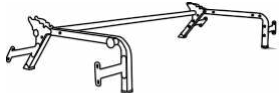
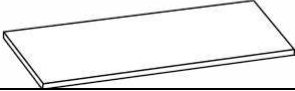


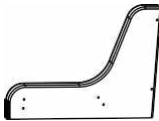
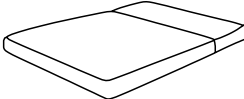
www.askona.ru

The product meets the requirements of Technical conditions 31.09.12.110-001-330501001-2019 of 10.01.2019

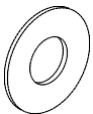
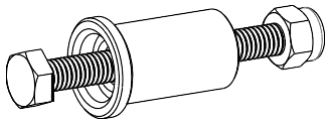


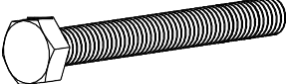
Hotline: 8-800-200-40-90, free calls in Russia.

Version 8 of 22.09.2021

List of parts of sofa / convertible armchair module

Package	Sofa/convertible armchair module	Part №	Name	Quality (pieces)
Package №1 		D01	Transformation mechanism	1
		D26	Transformation mechanism support	1
		D04	Back	1
		D05	Frame	1
		D07	Quilted cover of the sofa/ convertible armchair, cover fabric sample	1
	Fittings		Pack of fittings	1
	Instruction		Sofa passport assembly instruction, fabric sample	1
Package №2		D06	Armrest	2
Not includes in the sofa/ convertible armchair		D20	Mattress	1

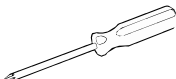
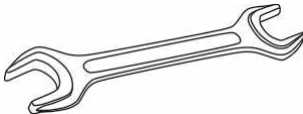
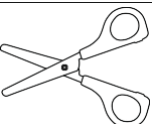
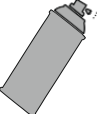

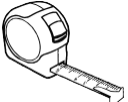
List of fittings

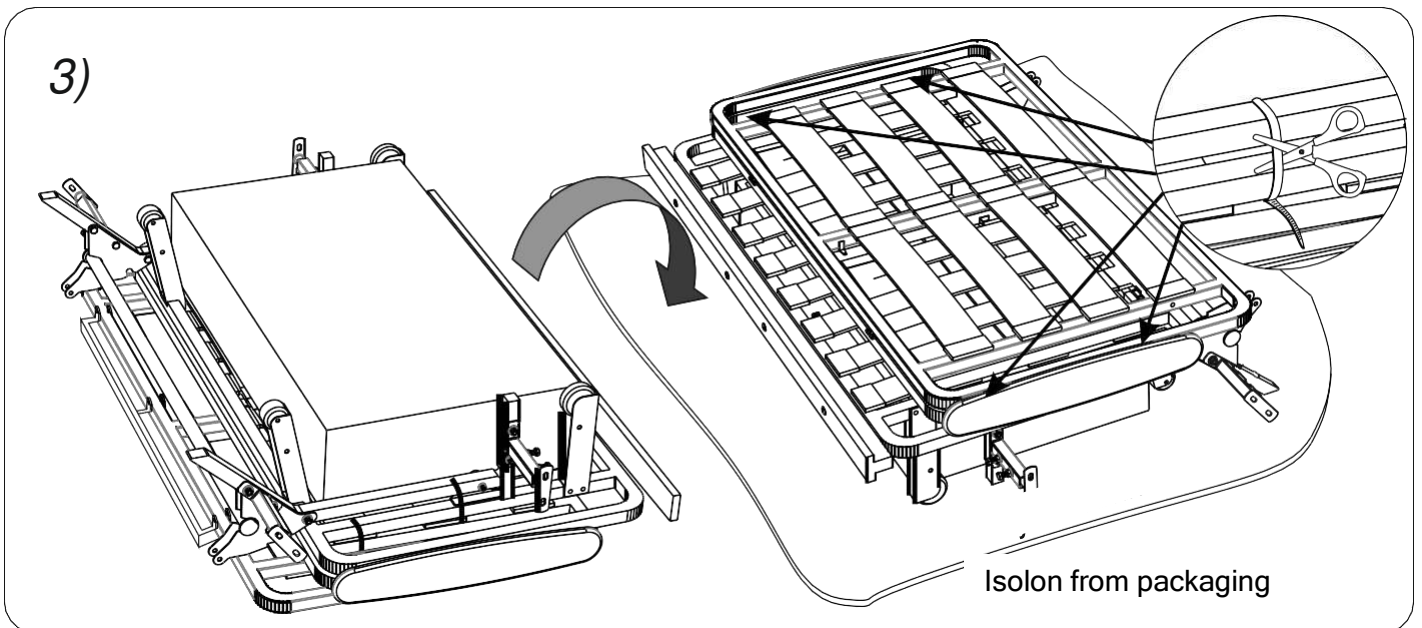
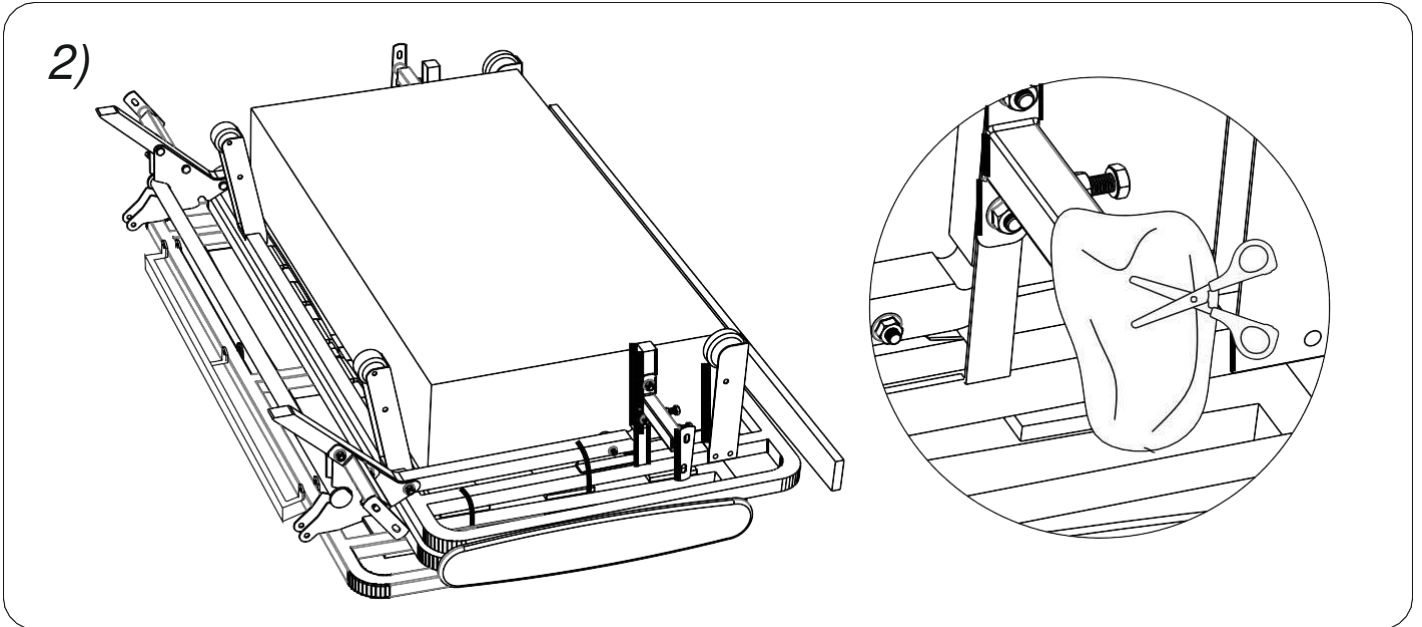
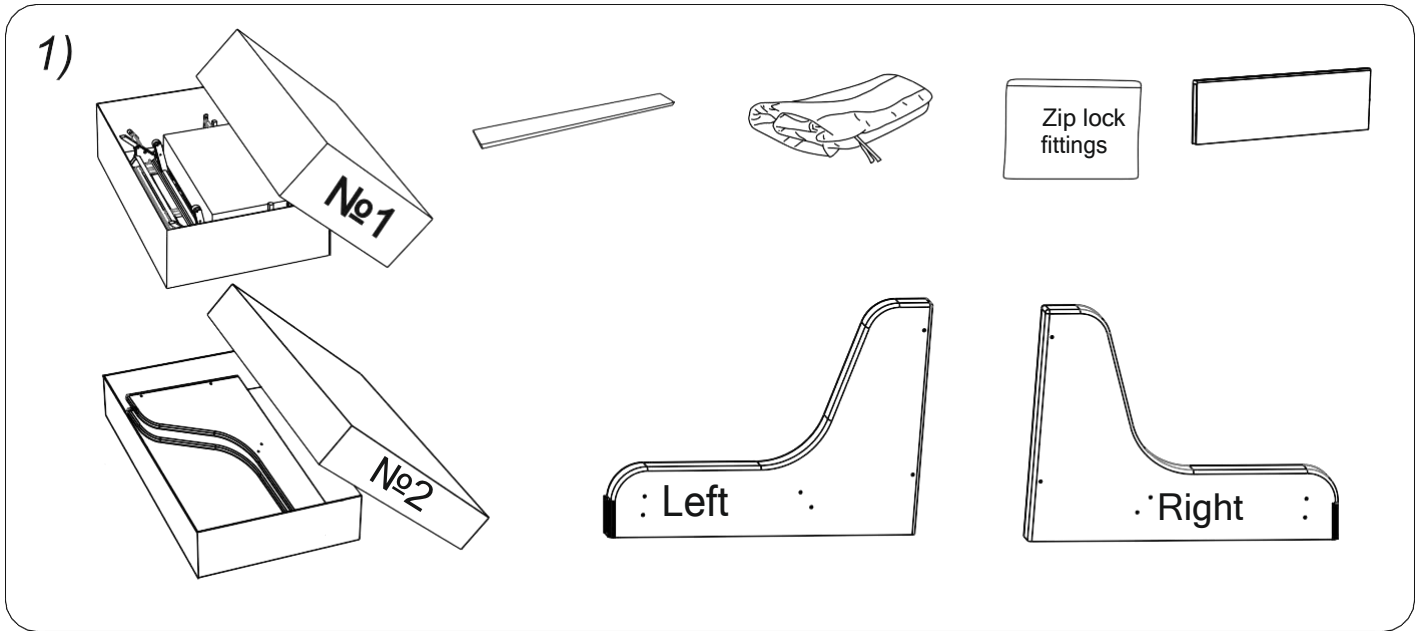
Part	Part №	Name	Quality (pieces)
	DF42	Washer enlarged	4
	DF02 DF15 DF16	Bolt M6*65 Plastic sleeve Nut M6 (self control)	2
	DF11	Screw-countersunk M6*30	3
	DF31	Spring with hooks	2
		For sizes 080 and 120	1
	DF54	Bolt M8*55	12

Before the assembly

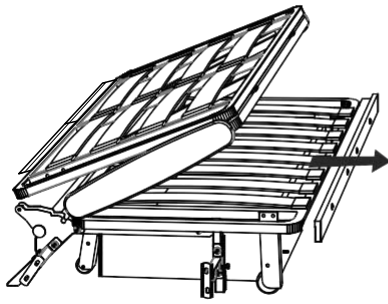
- 1) **Check the appearance and integrity of the parts in the package.** Claims for damage are accepted only for products WITHOUT traces of assembly.
- 2) **Save the packaging and instructions until the end of assembly.** If you identify a defect and incompleteness of the product during the assembly, keep the packaging until a representative of the trading company leaves for you.
- 3) **Check the number of parts and fittings according to the list.** The manufacturer reserves the right to make design changes to the product, to replace fittings and hardware with similar ones that do not worsen the appearance and do not affect the functional properties of the product. Upon finding incompleteness or breakdown, circle the number of the missing part and inform the store for its replacement.
- 4) **Follow the instructions in the assembly guide!** Failure to follow the assembly and operating instructions will void the manufacturer's warranty.
- 5) **Put the sofa/ convertible armchair on a flat area of the floor.** With curvatures of the floor and thick carpets, the operation of the transformation mechanism may be inferior, and the product may lose its shape.
- 6) **Assemble the sofa/ convertible armchair together with someone else.** Move all parts carefully, without jerking. Place them securely. Avoid dropping and hitting them.
- 7) **Move furniture and its parts, only by slightly lifting the product.** In this way, you will avoid deformations and breakages.
- 8) **Be sure to lubricate the hoist mechanism during the assembly according to the instructions.** This will avoid premature squeaking. Re-lubricate; tighten loose bolts and nuts at least once every six months.

To assemble the sofa you will need:

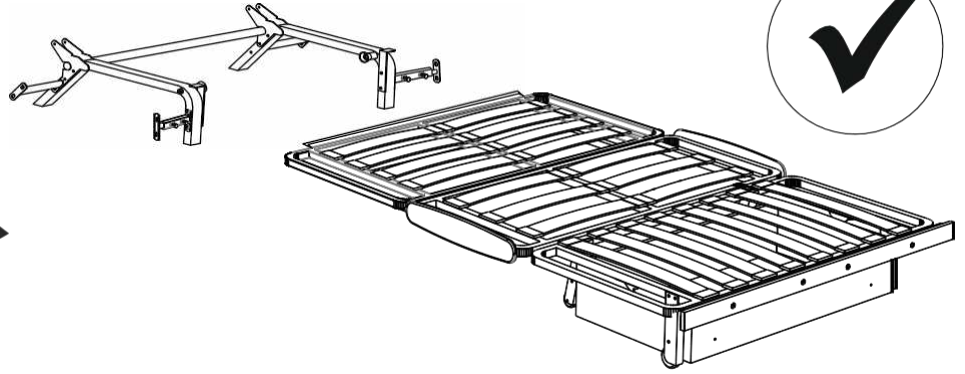
	Philips screwdriver
	Spanner №13 - 1 piece Spanner №10 - 2 pieces
	Scissors (to avoid damage to the upholstery do not use a knife)
	Silicone spray lubricant
	Paper towels
	Tape measure



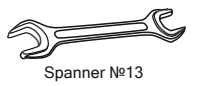
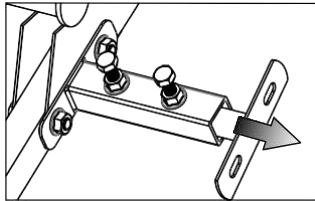
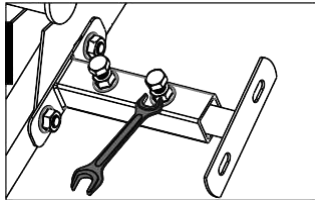
4)



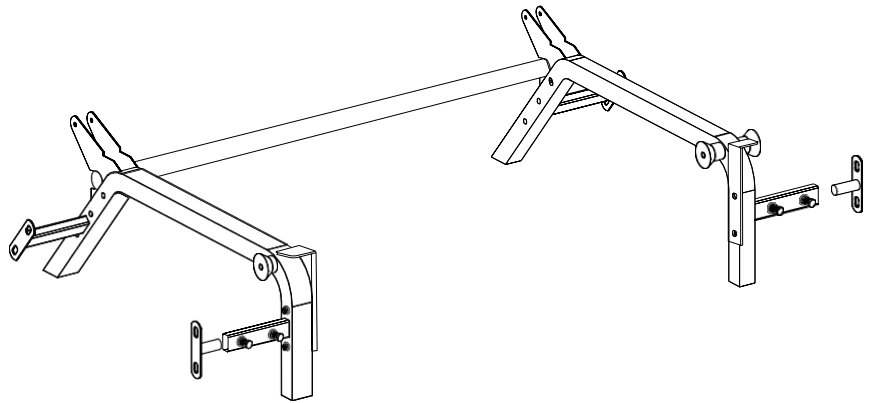
Remove the frame from the plinth



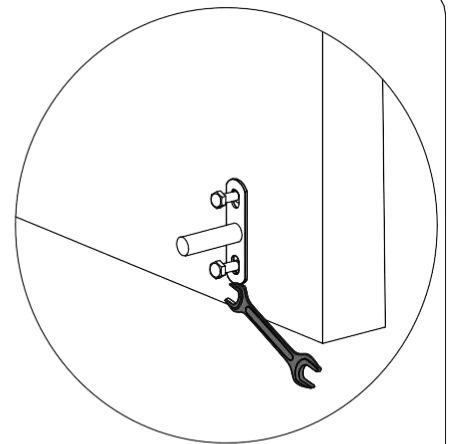
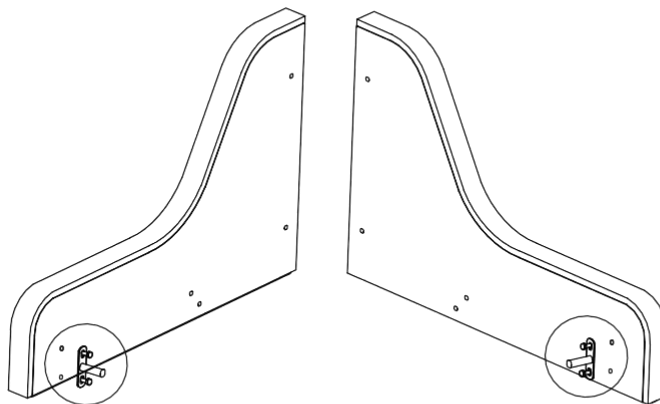
5)



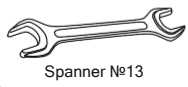
Spanner №13



6)



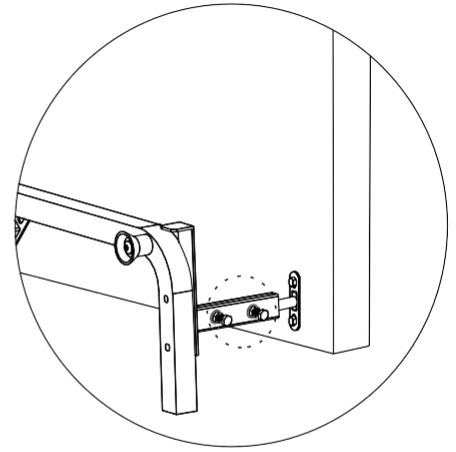
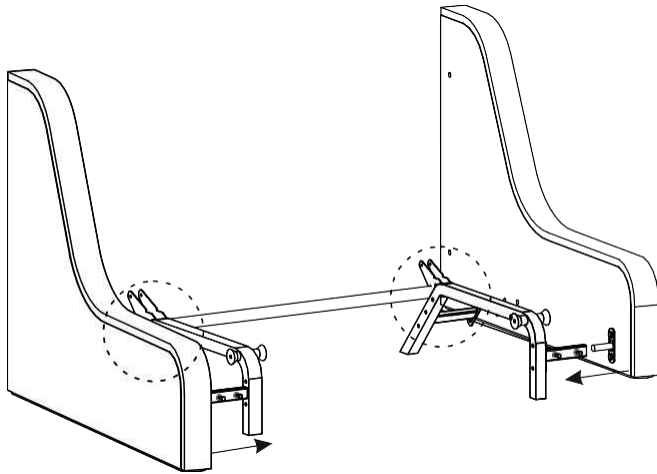
DF54



Spanner №13

7)

Do not tighten the bracket bolts.

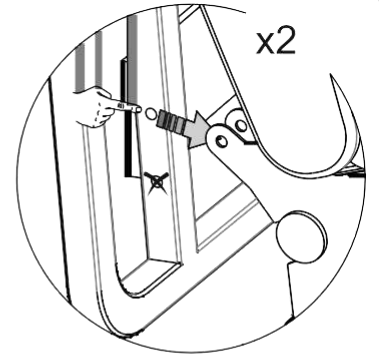
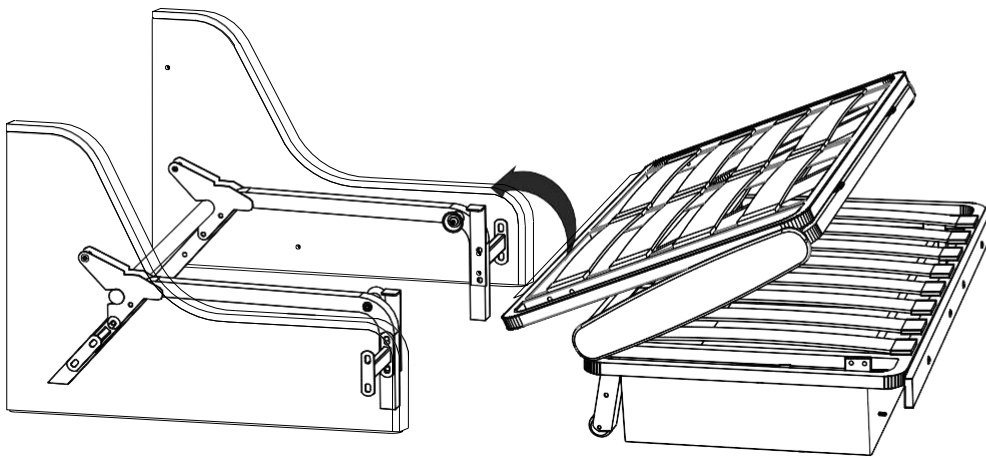


Screw on the rear brackets. Do not tighten the bolts of the front brackets.



DF54

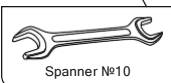
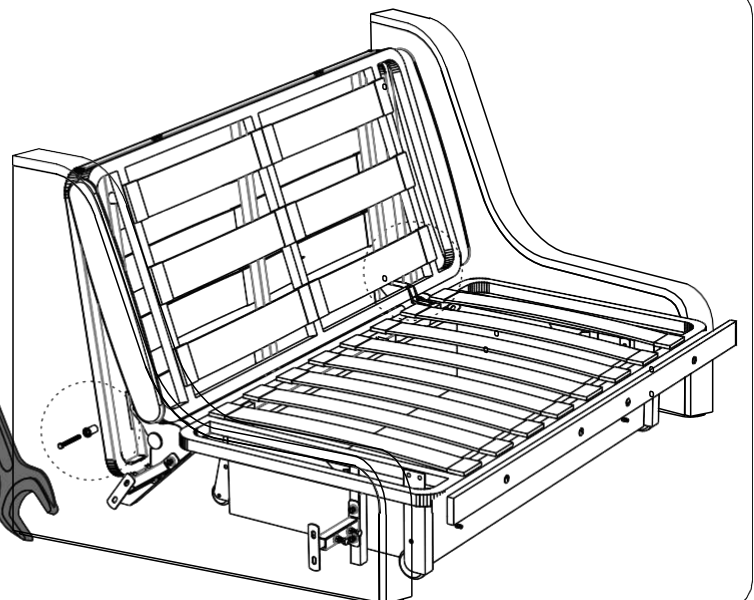
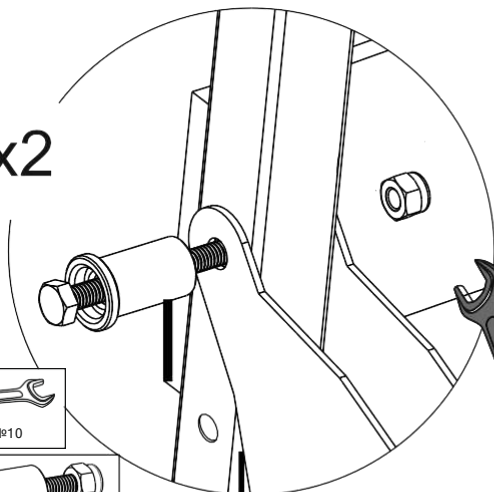
8)



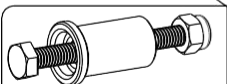
Do not tighten too much

9)

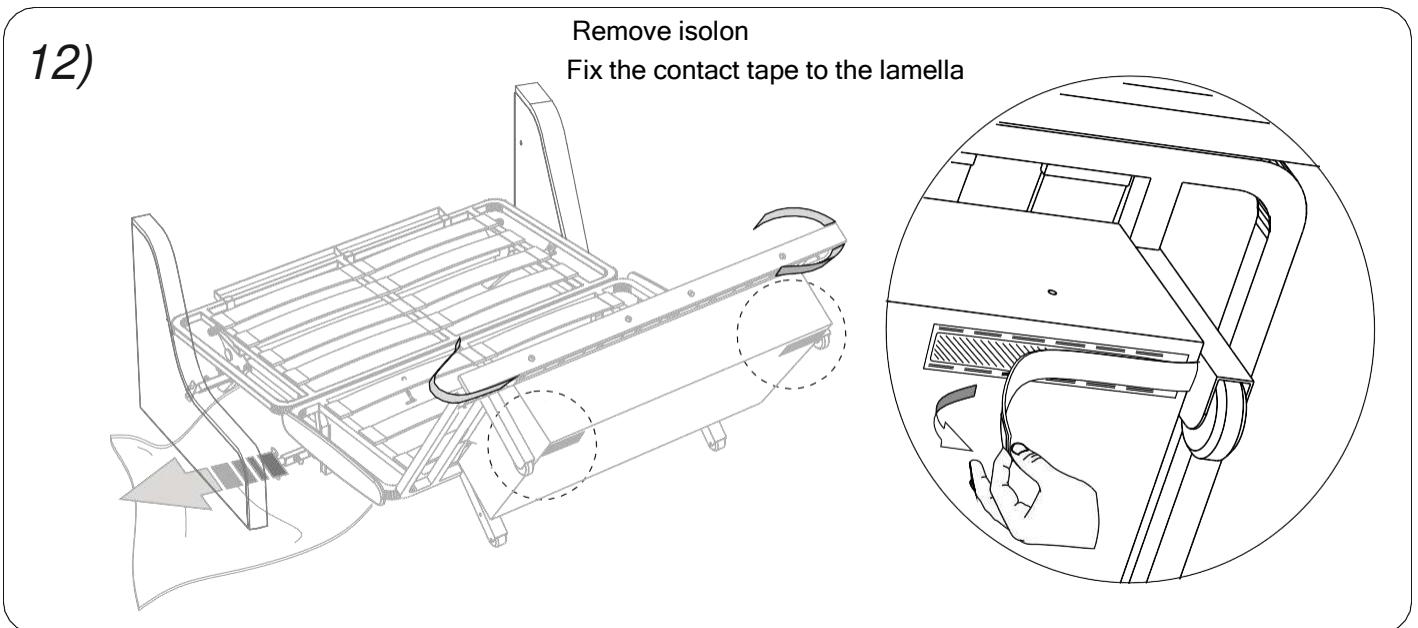
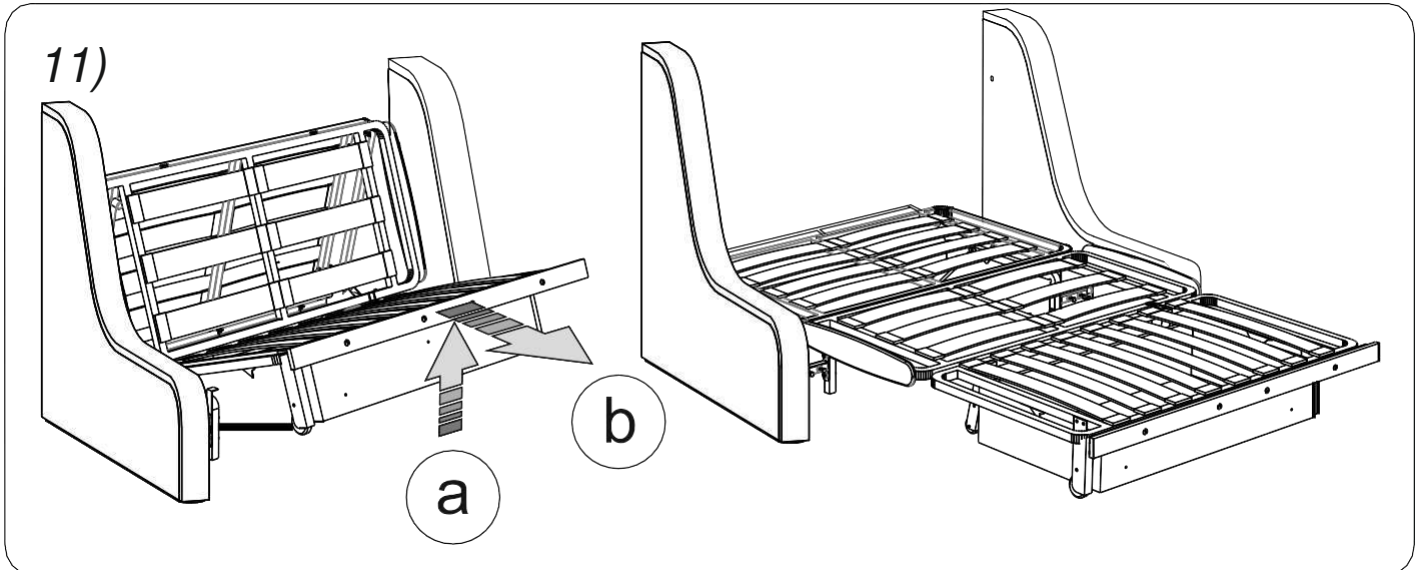
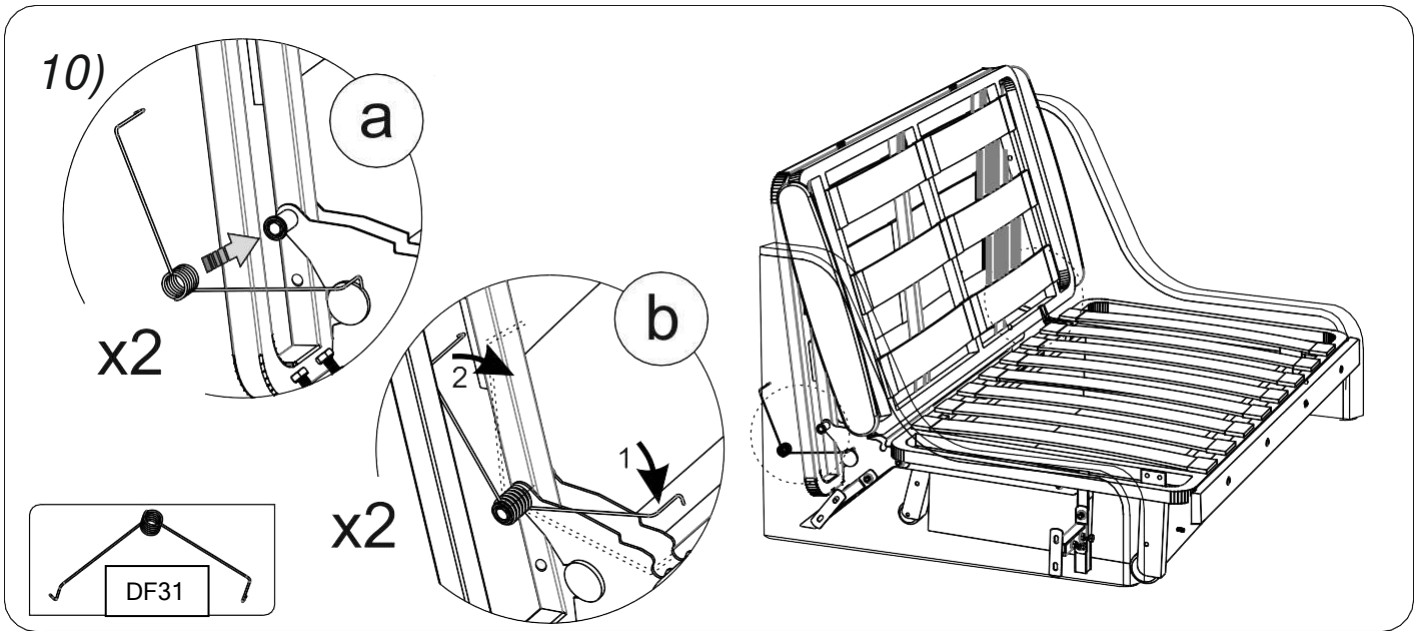
x2



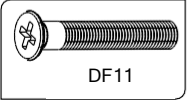
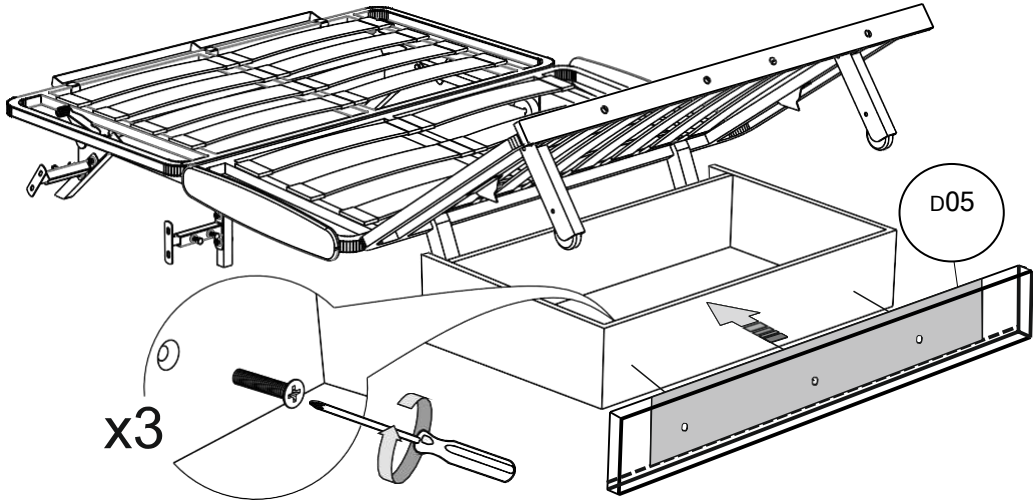
Spanner №10



DF02 DF15 DF16

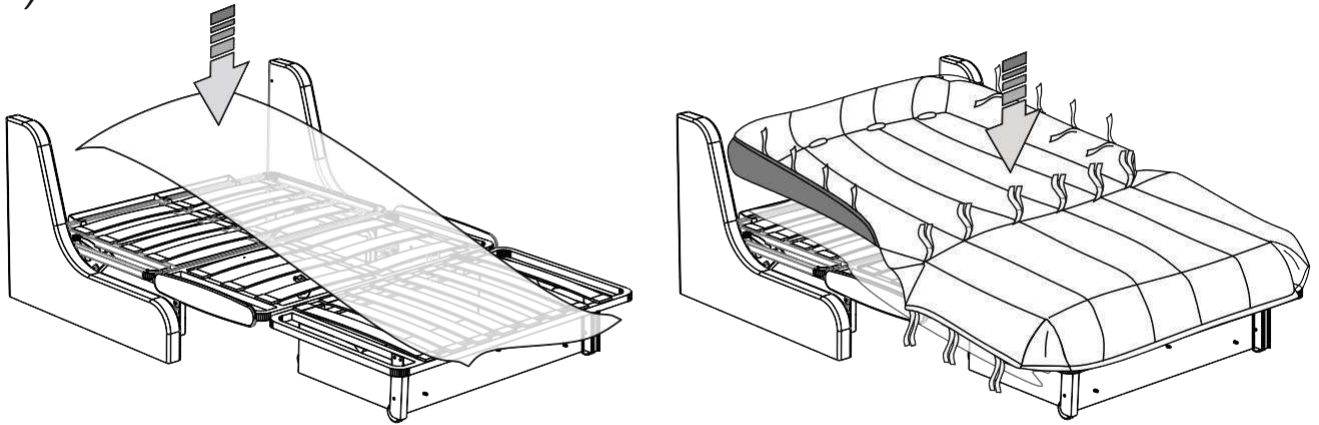


13)



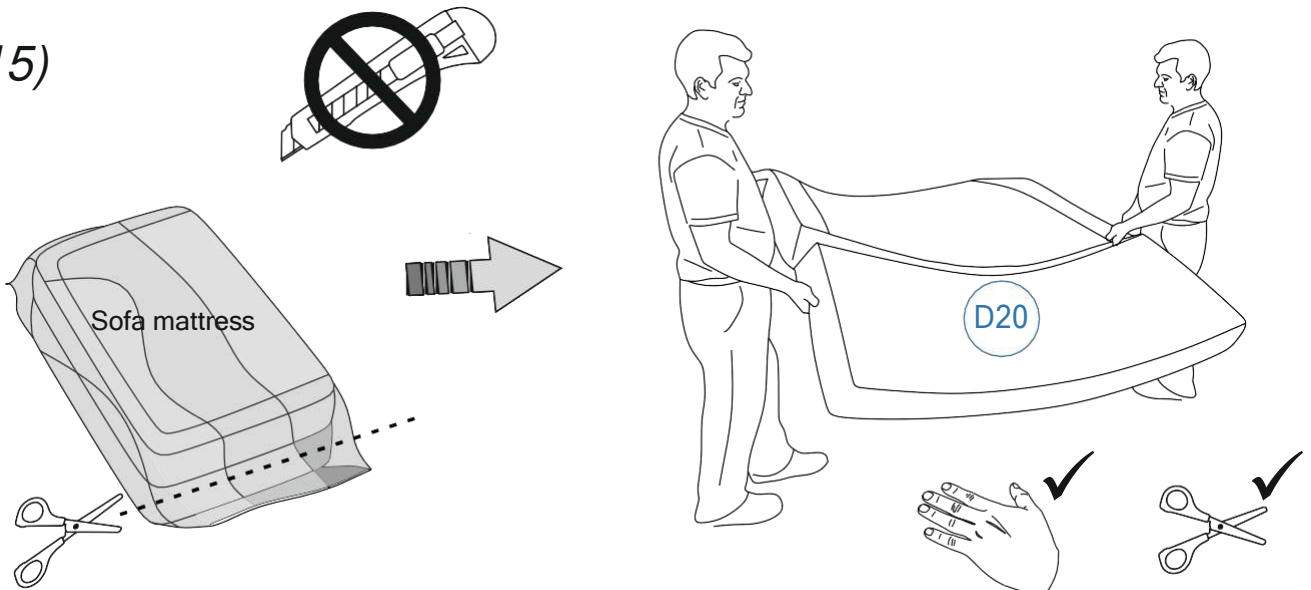
The lower part of the frame is determined by the presence of a clip strip.

14)

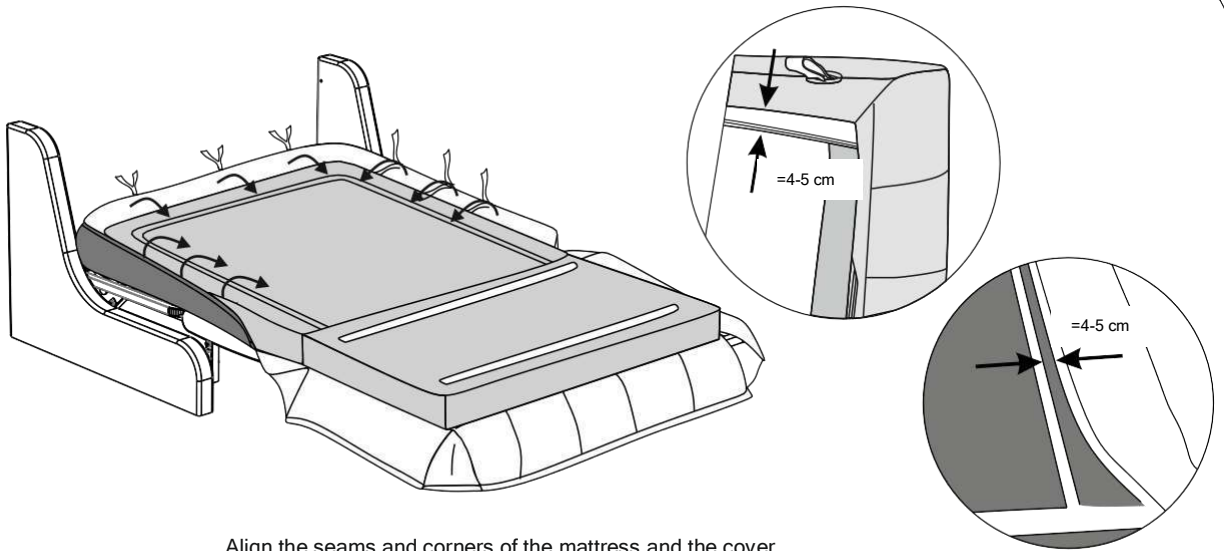


Place the film of the sofa packaging on the mechanism to protect the cover from grease.

15)

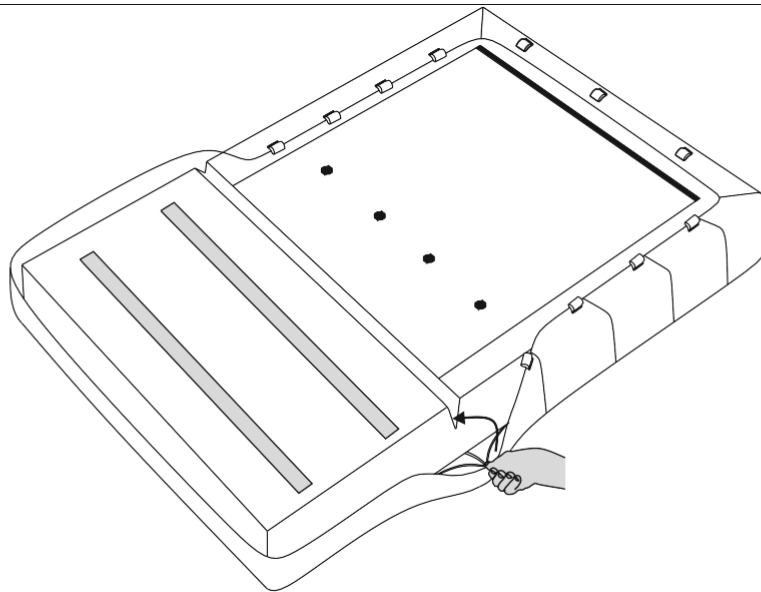


16)



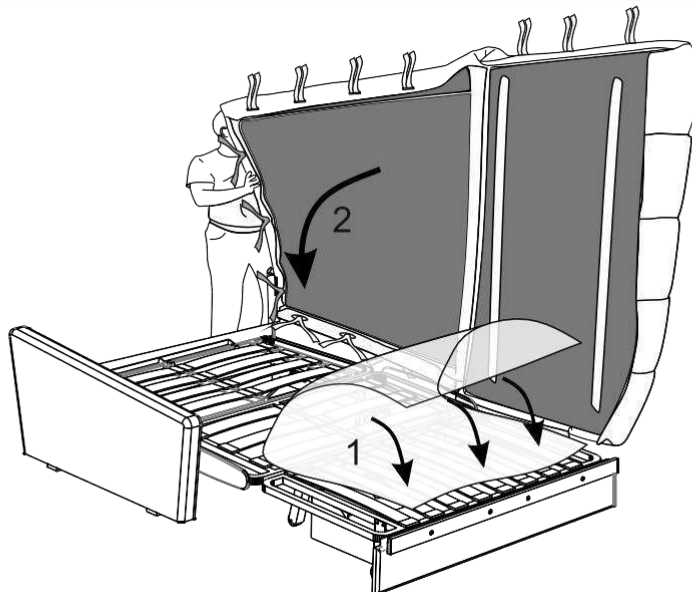
Align the seams and corners of the mattress and the cover.
At the head of the headboard, thread the contact strips through the holes in the cover.

17)

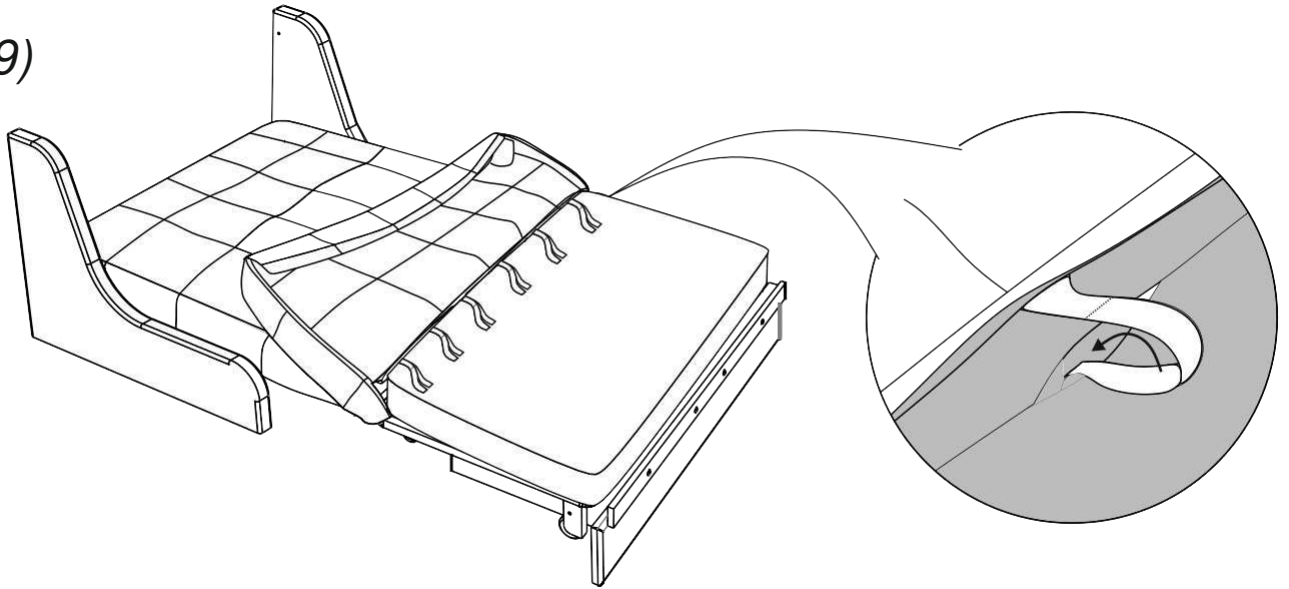


Align the seam of the cover and mattress.

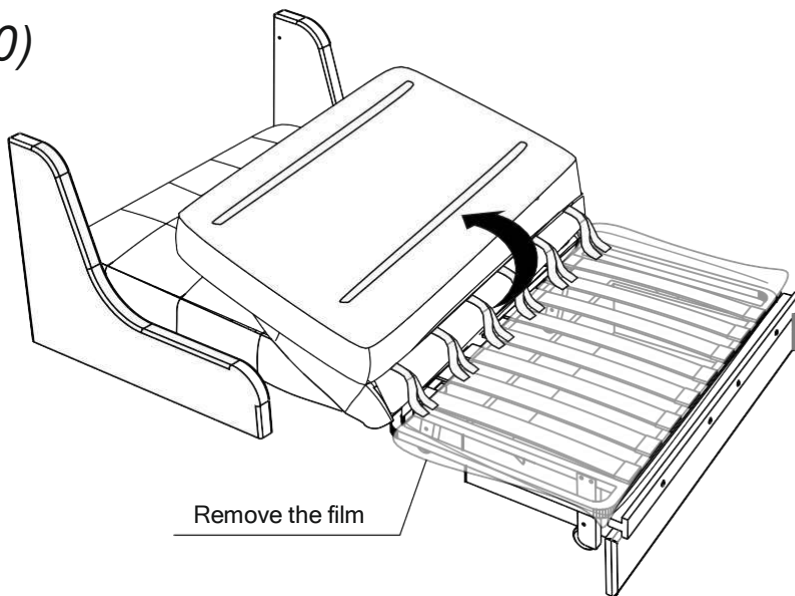
18)



19)

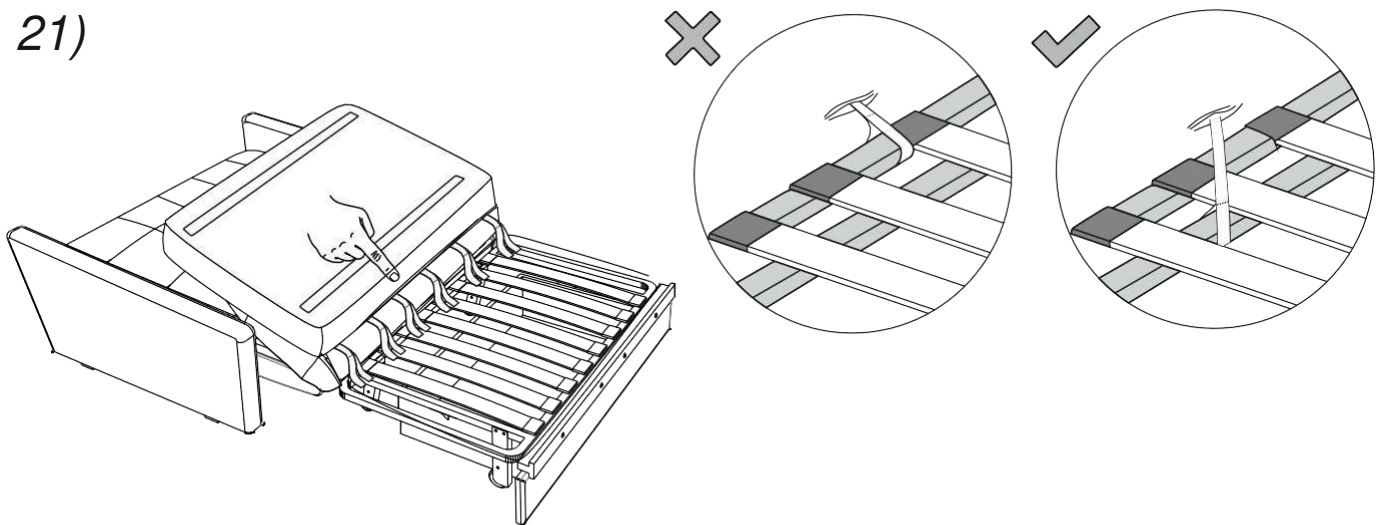


20)



Remove the film

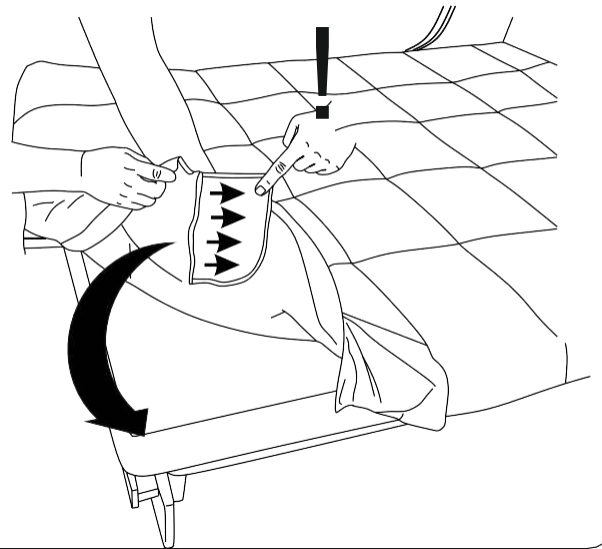
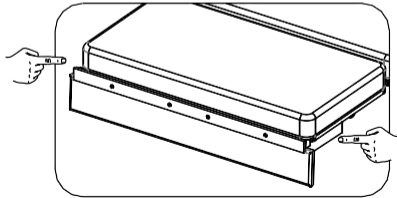
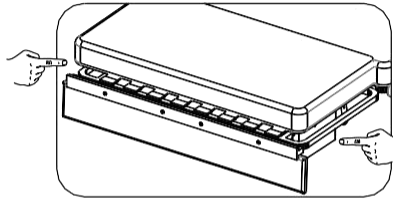
21)



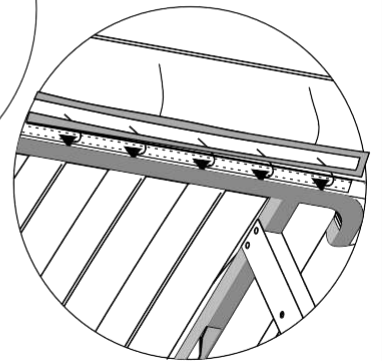
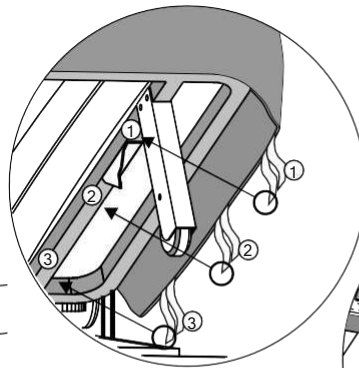
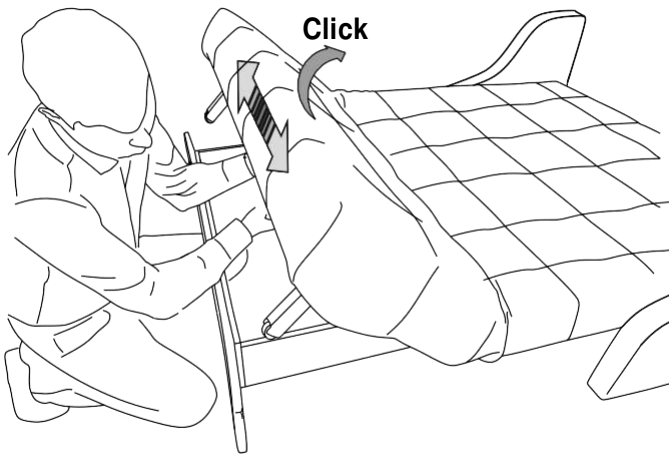
Pull the contact strips firmly up to the seaming line and hook them.

22)

The mattress should protrude no more than 1 cm beyond the edge of the slat.

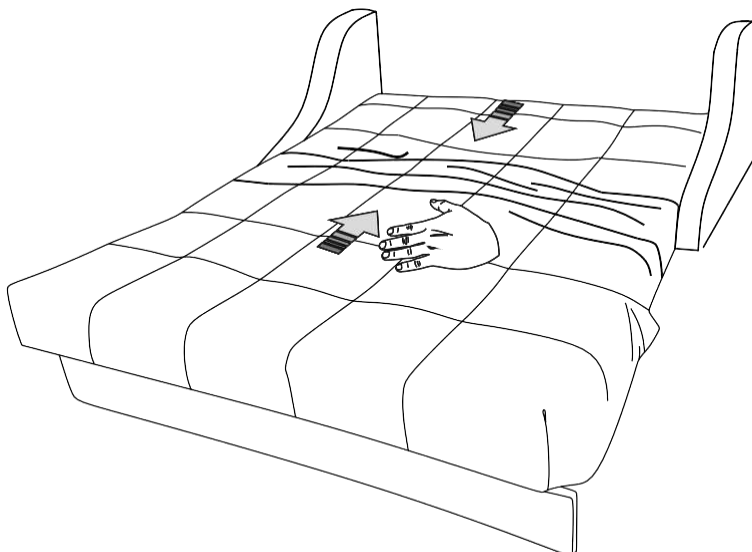


23)



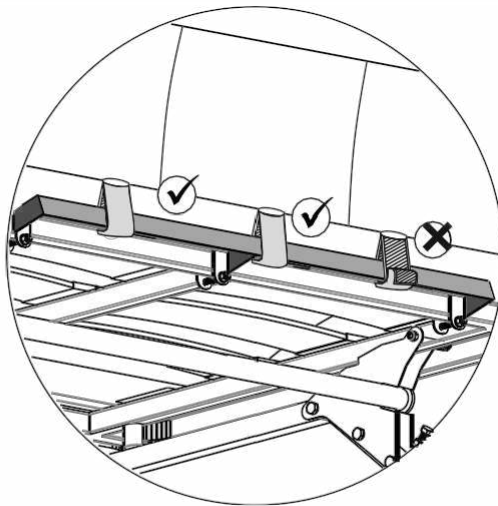
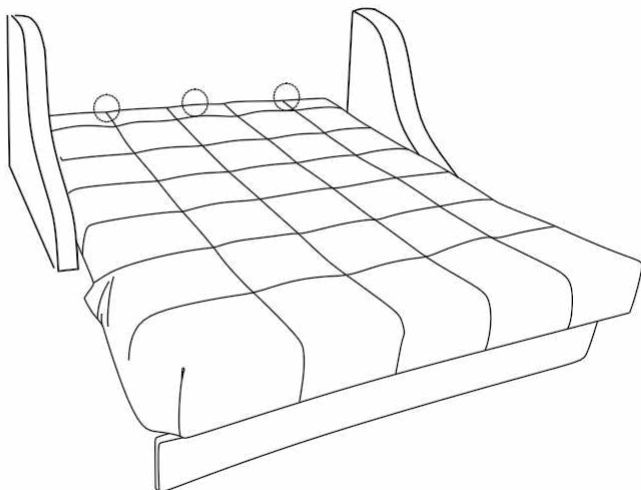
* Contact tape girth - full ring

24)

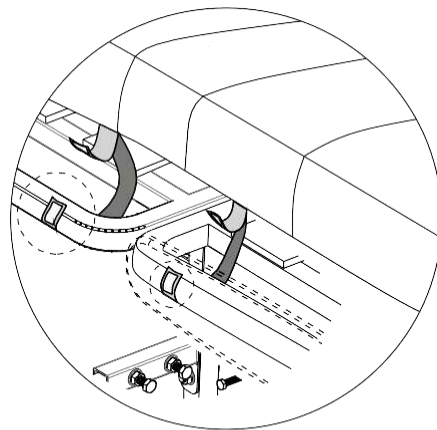
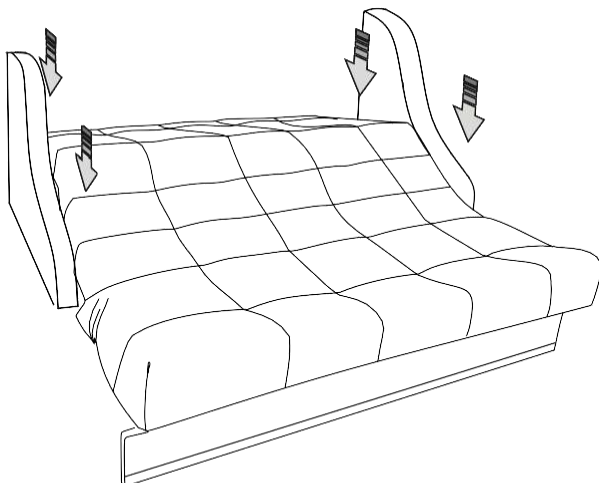


Collect excess cover at the fold of the mattress to facilitate transformation

25)

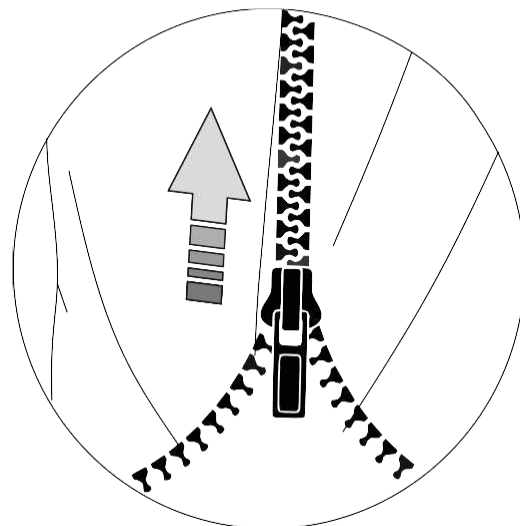
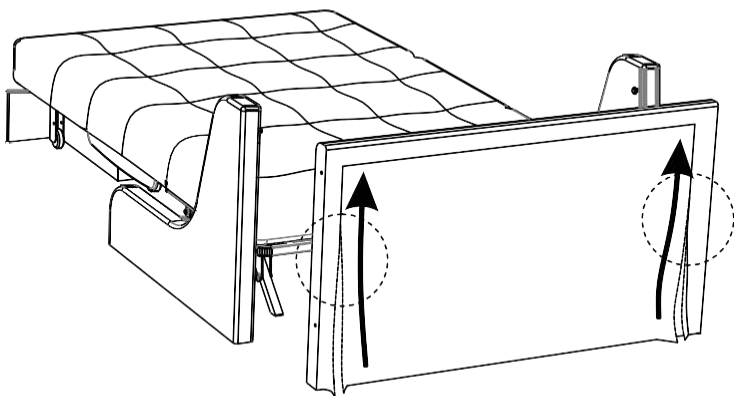


26)

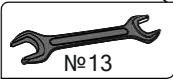
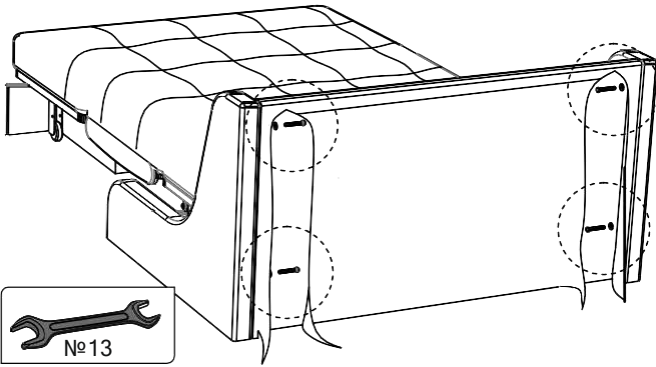


Move the sofa to a semi-unfolded position.
When fixing the contact strips should be tightened as much as possible.

27)



28)



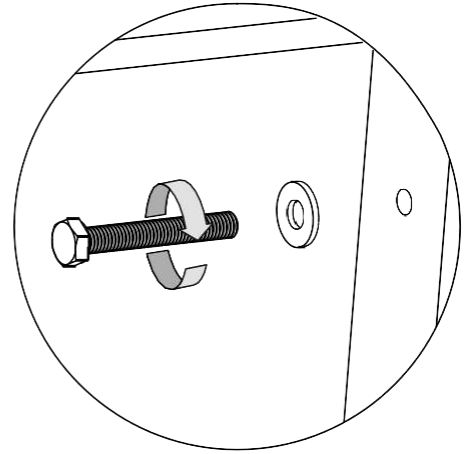
№13



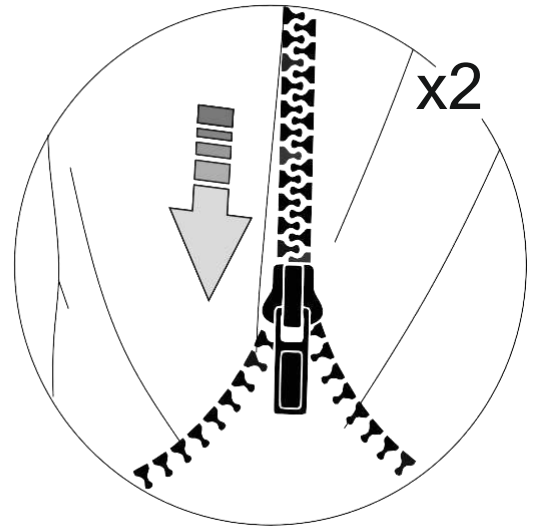
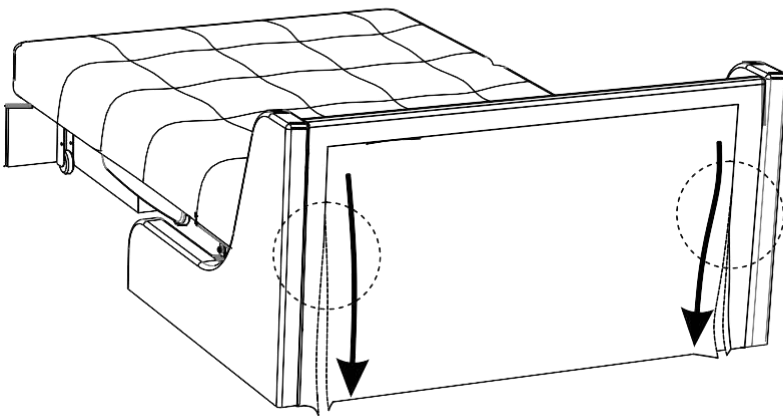
DF54



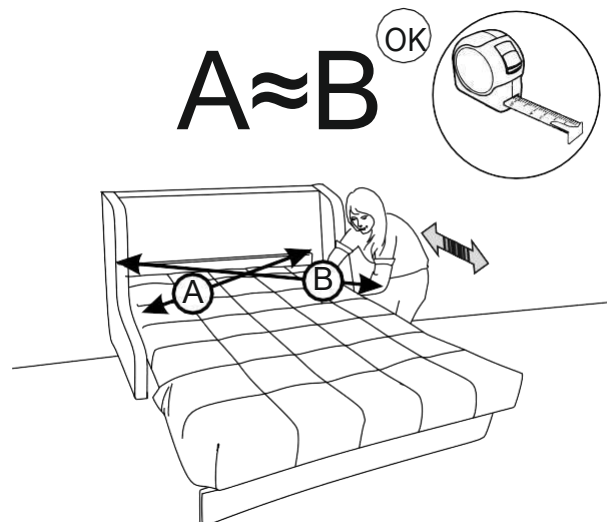
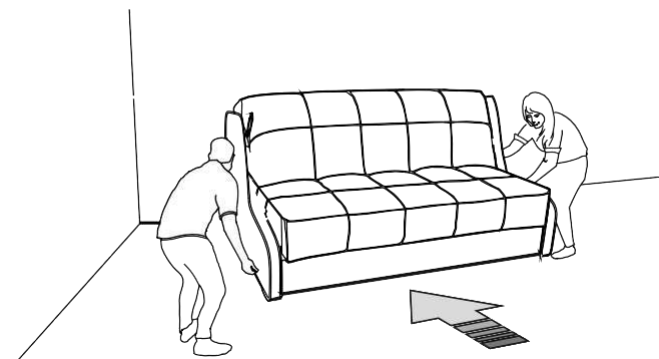
DF42



29)

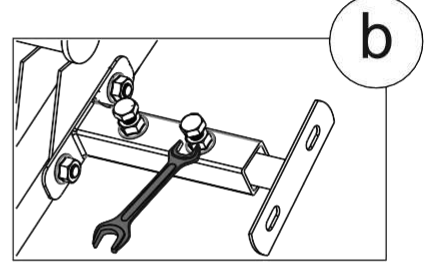
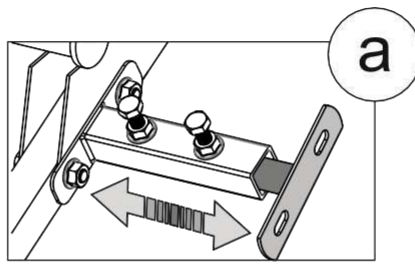
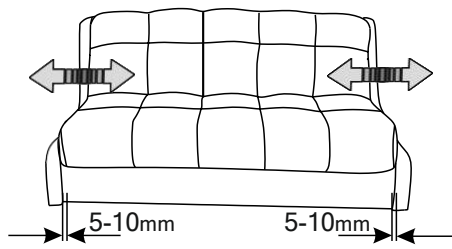


30)

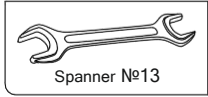


Install the sofa in its constant place of use

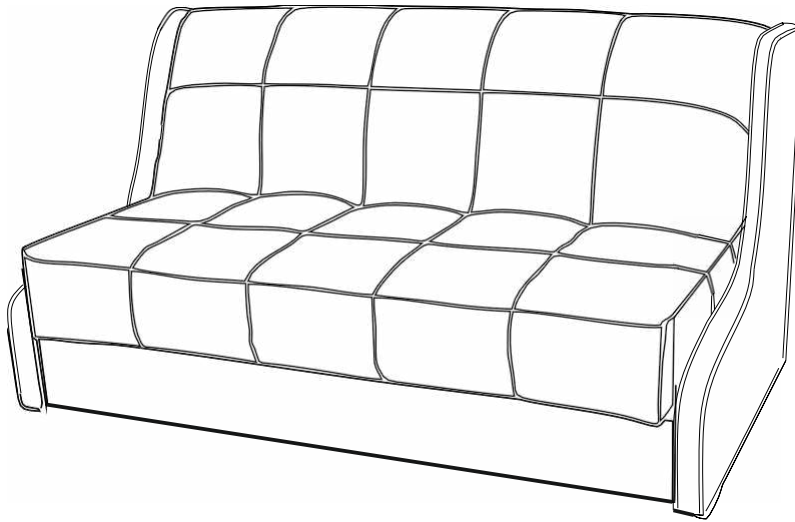
31)



Tighten

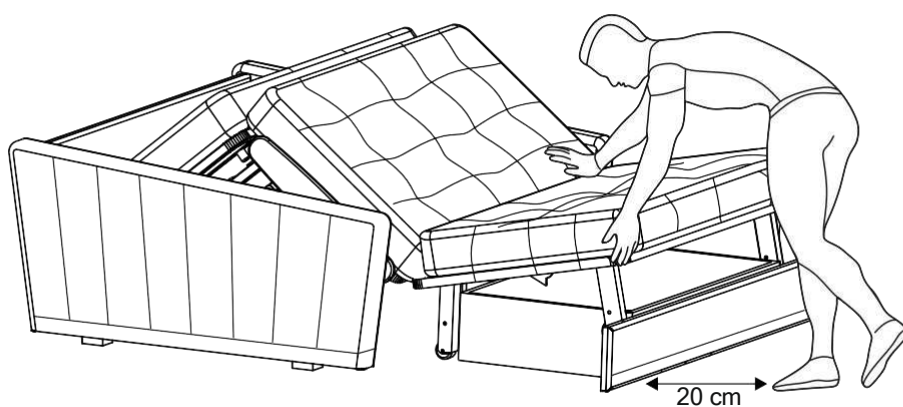
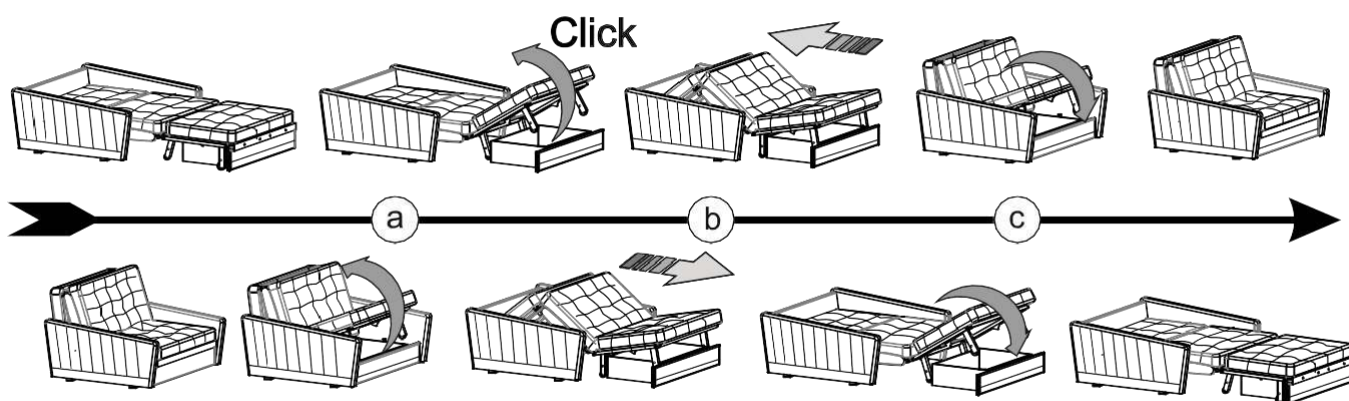


32)

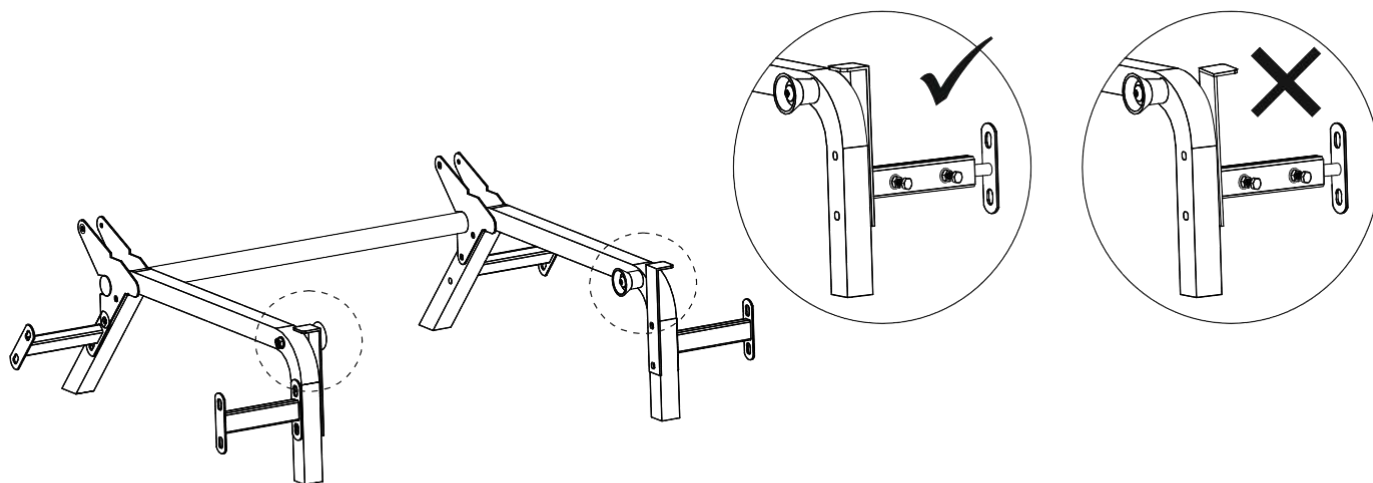


GENERAL RECOMMENDATIONS

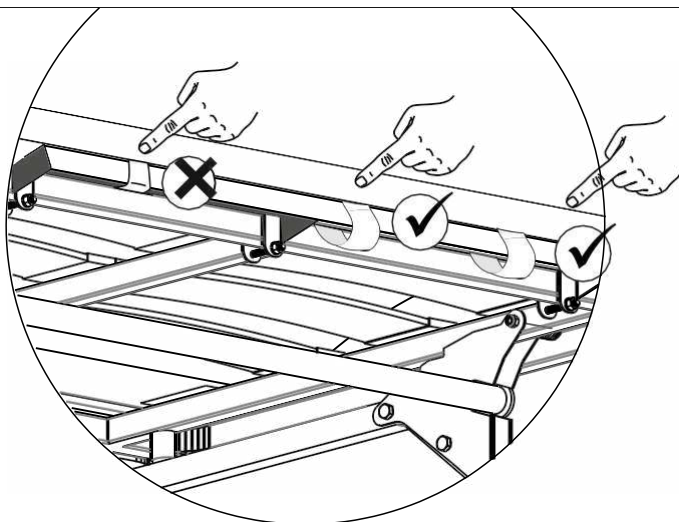
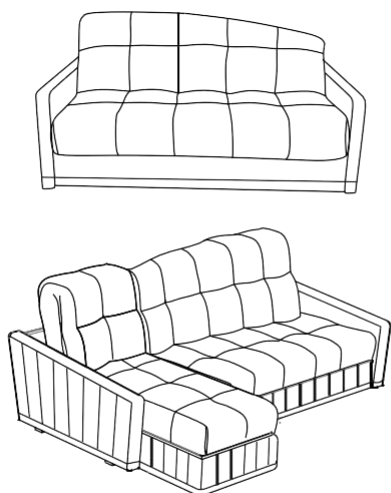
How to transform the sofa



If the sofa seat does not rise, unfasten the shipping Velcro.

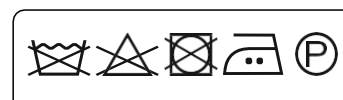
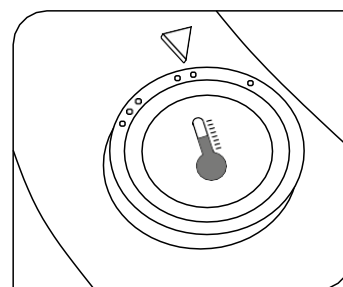
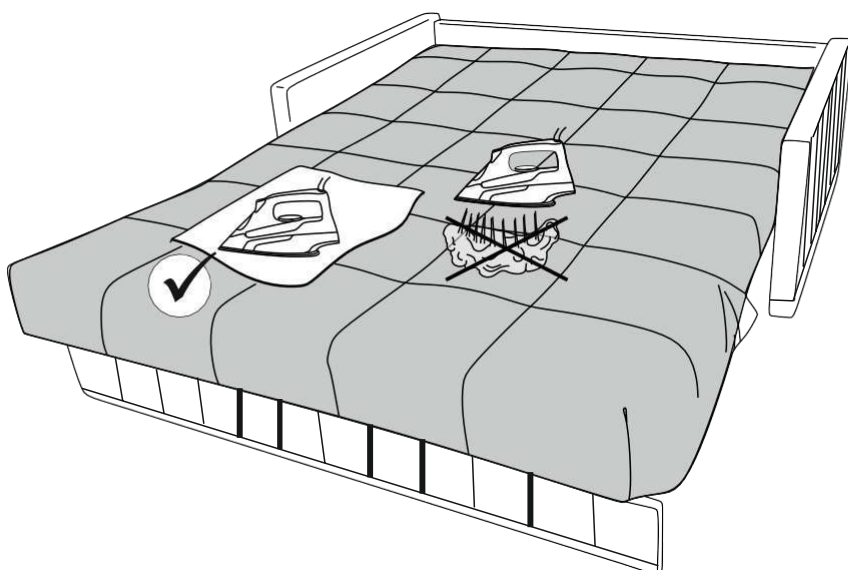
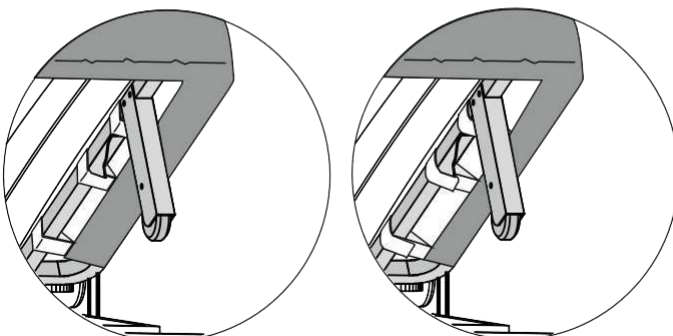
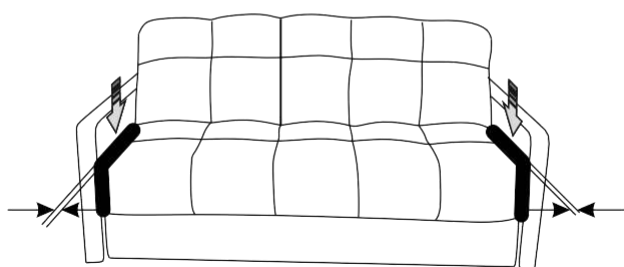
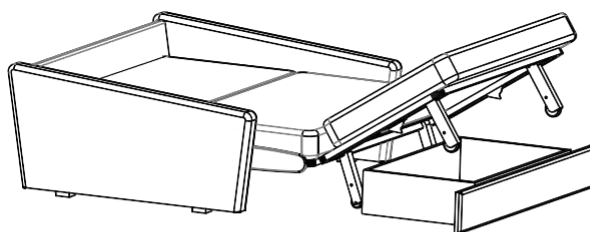


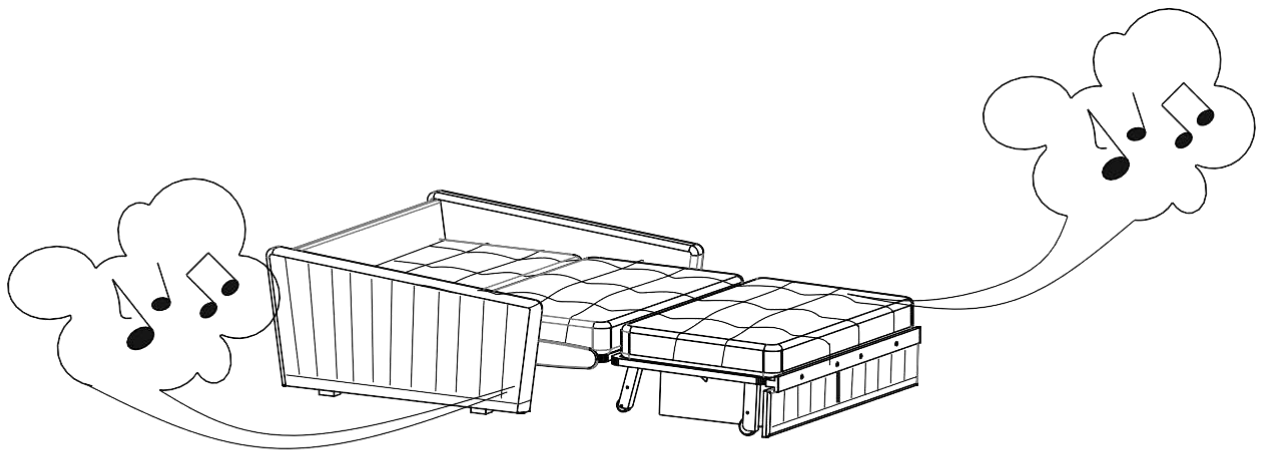
If the sofa seat does not retract, check the position of the supports on the mechanism.



If the backrest is skewed, loosen the contact strips at the headboard.

If there is a large gap between the mattress and the armrests, raise the seating area and loosen the contact straps.





Remember: if you convert the sofa regularly, the accompanying squeak is normal. The sofa is based on a reliable metal frame enabling to convert the sofa into bed daily. In use, the lubricant between the various joints in the mechanism can dry out, and the metal parts touch each other. To prevent friction and squeaks follow the instructions carefully: If the product squeaks, lubricate the places of friction in the mechanism, tighten the connecting bolts. Lubricate the mechanism every six months.

Lubrication scheme:

Video: www.askona.ru ▶ section "To customers" ▶ "Video review of the company's products and services" ▶ "Maintenance of the multicomfort mechanism".

PRESS 10 sec

